

Beta 90/90A/90X

Beta welding helmets



Beta 90



Beta 90A



Beta 90X

+ In brief

- Beta 90 standard glass lens model
- Beta 90A fixed shade EN3/11 electronic lens model
- Beta 90X variable shade and sensitivity EN4/9-13 electronic lens model
- Welding and grinding impact rated for eye and face protection to EN175
- Two stage pivoting filter glass including 'peep' position
- Deep cut design ensures additional face and neck protection

Key features

Kemppi Beta welding helmets provide excellent protection for welding and post weld cleaning and grinding processes. Equipped with either a standard glass filter or electronic arc sensitive lens, in fixed or variable filter shade specification. All Beta models feature the same lightweight shell that includes grinding impact rating. So whichever model you choose, you can be sure to enjoy the same safety protection.

Technical specifications

Beta		90	90A	90X
Filter lens dimensions	mm	90 x 110	90 x 110	90 x 110
Viewing window	mm	90 x 110	46.5 x 95	46.5 x 95
Shade range		EN 8-14	EN 3 / 11	EN 4 / 9 - 13
Sensitivity			Fixed	Adjustable
Switching time			0.0005	0.00015
Delay (dark → bright), (s)			0.2	0.2-0.8 adjustable

Beta 90/90A/90X

Ordering codes

Welding helmet

Beta 90	9873045
Beta 90 A	9873046
Beta 90 X	9873047

A. Filter glass

90 x 110 mm EN 8	9873241
90 x 110 mm EN 9	9873242
90 x 110 mm EN 10	9873243
90 x 110 mm EN 11	9873244
90 x 110 mm EN 12	9873245
90 x 110 mm EN 13	9873246
90 x 110 mm EN 14	9873247

B, C. Spatter protection glass

Beta 90X	51 x 107 x 1.0	9873251
Beta 90, 90A, 90X	90 x 110 x 1.0	9873253

D. Safety plate

Clear safety plate	90 x 110 x 1.5	9873254
Colored safety plate Beta, polycarb. DIN 3	90 x 110 x 1.5	9873255

Magnifying filter glass

Beta (1,0)	51 x 108 mm	9873260
Beta (1.5)	51 x 108 mm	9873261
Beta (2.0)	51 x 108 mm	9873262
Beta (2.5)	51 x 108 mm	9873263

A. Auto-darkening welding filter lens

Beta 90 A, DIN 3/11	90 x 110	9873051
Beta 90 X, DIN 4/9-13	90 x 110	9873055

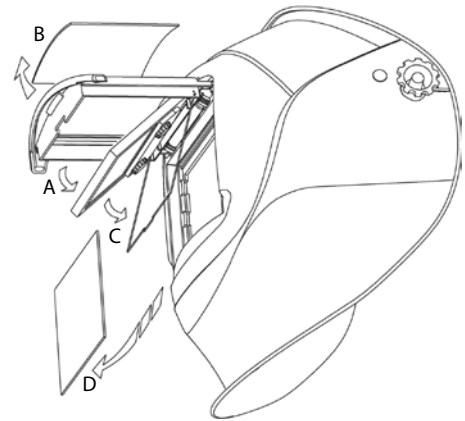
Glass support spring

Beta 90, 90 A, 90 X	3149850
---------------------	---------

Headband

Beta	4306370
Alfa	9873012

Sweatband **9873018**



A - Filter glass, Auto-darkening welding filter
 B - Spatter protection glass
 C - Spatter protection glass
 D - Safety plate

Degrees of protection for lenses

Welding processes	Current strength, A																			
	15	20	30	40	60	80	100	125	150	175	200	225	250	275	300	350	400	450	500	
MMA Welding			9		10		11				12					13				14
MIG, steels						10		11			12					13				14
MIG, aluminium						10		11			12			13		14				15
TIG, all metals	9		10		11		12			13			14							
MAG (CO ₂ welding)					10		11		12		13				14					15
Carbon arc gouging								10		11		12		13		14				15
Plasma cutting					11					12				13						